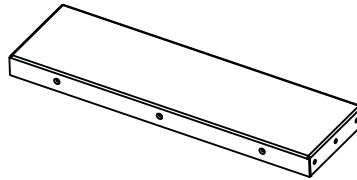


ISF1100BP Mini Shelf Installation



Included in this package

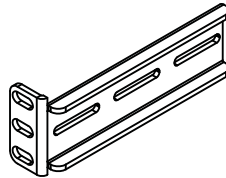
(1) ISF1100BP Blank Panel ❶



(4) M4 x 8 Screws



(2) ISF1100BP Ear Bracket ❷



(4) #10-32 x 5/8 Rack Screws



(4) #12-24 x 5/8 Rack Screws



Installation Steps

Step 1. Place Main Panel ❶ on a flat surface. Place (2) Ear Bracket ❷ on right side and left side of the main panel.

Step 2. Aligning screw holes on right side of main panel with slots on the ear bracket.

Step 3. Secure right side ear bracket ❷ with (2) M4x8 screw. Repeat the same step for left side also. (Figure 1)

Step 4. Readjust both ear bracket to desire position. Tighten all four screws to finish installation.

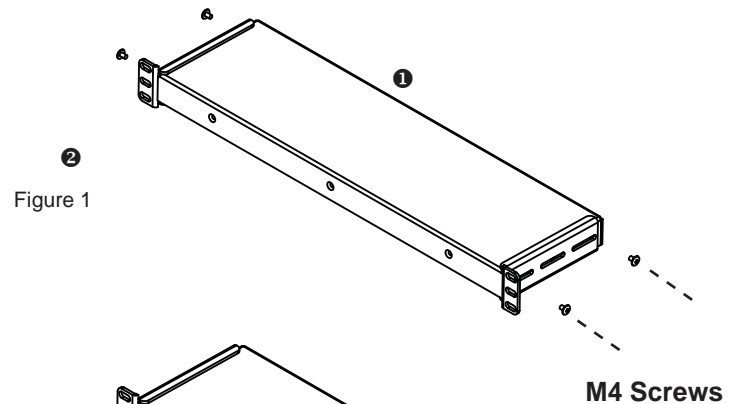


Figure 2

